

HOW TO ORDER:

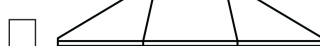
Please check selected items. NOTE: a copy of this order form is needed for each Proof Roof model number.

islander
proof-roof

EMPIRE
PROOF-ROOF

Liberty
proof-roof

Choose Proof Roof Style:

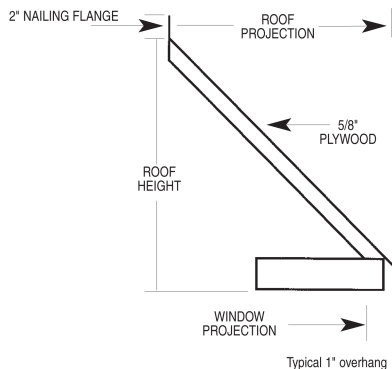


Brand of window _____ Model # of window _____ The window is: Clad Prime wood.

The window is being installed on: Sheathing Masonry^{††} (see below) If custom height is needed, overall height required: _____

Proof Roof Finish (check one): White Copper Unclad Optional Color (KYNAR[®] 500 Color) _____

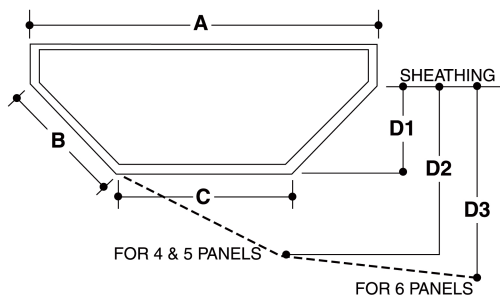
APPROX. WINDOW PROJECTION	APPROX. ROOF HEIGHT		APPROX. WINDOW PROJECTION	APPROX. ROOF HEIGHT	
	ISLANDER	EMPIRE & LIBERTY		ISLANDER	EMPIRE & LIBERTY
6"	6 1/8"	9 3/4"	17"	13 3/4"	22 7/8"
7"	6 7/8"	11"	18"	14 1/2"	24"
8"	7 1/2"	12"	19"	15 1/8"	25 1/4"
9"	8 1/4"	13 1/4"	20"	15 7/8"	25"
10"	9"	14 1/2"	21"	16 1/2"	24 1/2"
11"	9 5/8"	15 5/8"	22"	17 1/8"	24 1/2"
12"	10 3/8"	16 7/8"	23"	17 7/8"	25"
13"	11"	18"	24"	18 1/2"	26"
14"	11 5/8"	19 1/4"	25"	19 1/4"	28"
15"	12 3/8"	20 1/2"	26"	21 5/8"	30"
16"	13"	21 5/8"			



Available Standard Finishes:

- White**
White KYNAR[®] 500
Aluminum Clad
- Copper**
Solid Copper Clad
- Unclad**
Unclad Plywood
- Optional Colors**
Choose from over 30
KYNAR[®] 500 color finishes.

FOR CUSTOM MANUFACTURED BAY OR BOW WINDOWS:



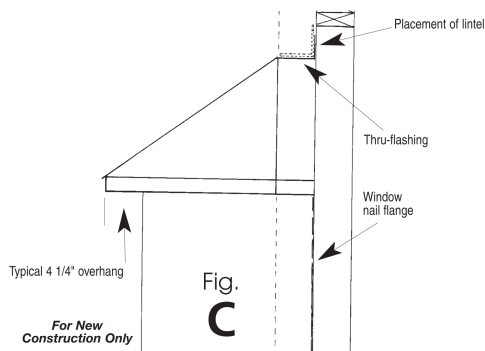
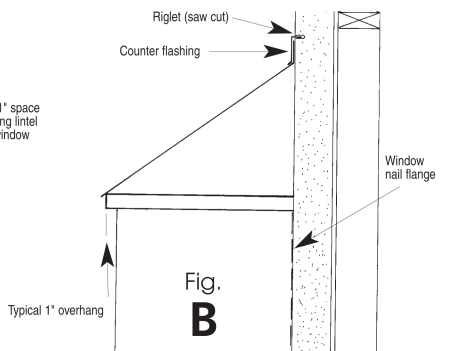
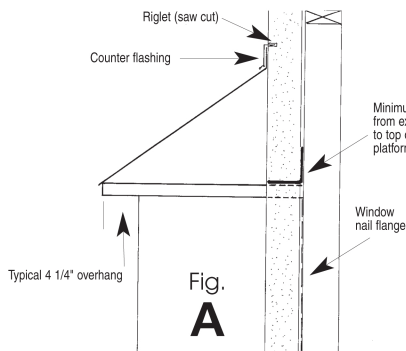
WINDOW MANUFACTURER:	4-5 PANEL		6 PANEL
	<input type="checkbox"/> BAY or	<input type="checkbox"/> BOW or	<input type="checkbox"/> BOW
A. Overall Width			
B. Flanker			
C. Center			
D. Projection from Sheathing			
Projection Point	D1	D2	D3

†† FOR MASONRY APPLICATIONS:

Must specify application when ordering roof (please check A, B, or C below).

(A) window nail flange set back to sheathing. (B) window nail flange set to face of masonry. (C) new construction only, prior to masonry.

1. If A, window set back (generally 4 1/4" brick): _____ 2. Masonry opening, left to right: _____ 3. Projection past masonry: _____



We carry many stock units in inventory. Please check with your dealer.

For product information call:

(800) 385-7081 • (631) 694-7663

fax: (631) 752-0110 • www.proofroof.com • info@proofroof.com



THE PROOF IS IN THE ROOF™

125 ROME STREET • FARMINGDALE, NY 11735

U.S. Patented. Dealer Inquiries Welcome.

Available at: